

ACCUSLICE-10MX



Precise Servo Driven Slicing



FOODTOOLS
Industry Leaders in Portion Control

ACCUSLICE-10MX

Average Speed:

100-150 Products Per Hour

Function:

This full sheet cutting model will slice a variety of frozen products in or out of the container. The machine features automatic indexing into cut positions and automatic rotation from x to y axis cuts. The servo driven platform & product holder allows cutting diamonds, triangles & parallelograms as well as rectangles & square shapes. Dual round product holders are available for cutting round products. This model is best for bakeries slicing 100-150 products per hour.

Benefits

- Achieve a return on investment through labor savings and improved portion quality and consistency
- Accessories are easily changed to portion products into different sizes
- Save cut patterns in the machine's computer
- Can slice products outside of the pan or inside the pan, box, or container
- Reliable and durable equipment backed by manufacturer's warranty



Precise Servo Driven Slicing

FoodTools Corporate Office

Santa Barbara, CA U.S.A.
805.962.8383
877.836.6386

FoodTools Central

South Haven, MI U.S.A.
269.637.9969
800.644.2377

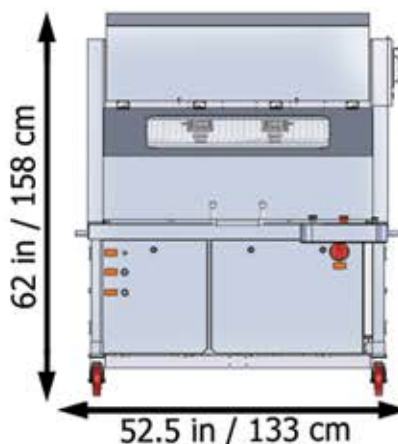
FoodTools United Kingdom

Ongar, Essex U.K.
44.1277.364869

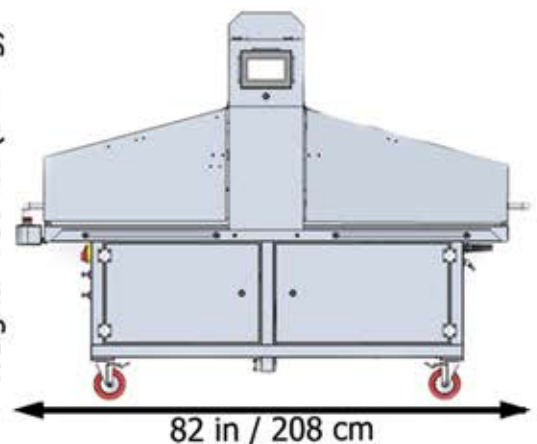
FoodTools Asia

Zhuhai, Guangdong China
86.756.2127528

sales@foodtools.com



Weight: 750 lbs (341 kg)



Power:

Compressed Air 6 CFM @ 90 PSI
Electric 208V-240V, 10A

Product Size Ranges:

12 in (30.5 cm) Dia. Round Products
Dual Round Dials 11 in (27.94 cm) Max
Up To 38 in (96 cm) Diagonal Products
4.5 in (11.5 cm) Tall

Portion Size Ranges:

Round 4 - 24 Portions Per Product
Square Determined By Product

FoodTools machines are manufactured with heavy duty anodized aluminum, stainless steel, and ultra-high molecular weight plastic. The equipment is designed for complete wash down requirements in production facilities.

Specifications are subject to change and are dependent on the product portioned or additional accessories to standard equipment.
© FoodTools - 12/2018

www.foodtools.com

FOODTOOLS
Industry Leaders in Portion Control