

CP-2F



Full Sheet Hydraulic Press



FOODTOOLS
Industry Leaders in Portion Control

CP-2F

Average Speed:

Up To 240 Products Per Hour

Function:

This model is designed to press product across the bottom of a full sheet pan quickly and with consistent pressure. The machine can hold up to 1 full sheet pan and uses a hydraulic press with 25,000 lbs of force to spread and flatten the product into the pan. A PLC controller and monitored safety system means that no matter who operates the machine the product is pressed evenly every time. The machine is designed to reduce labor cost and improve product quality and is best for bakeries pressing more than 100 pans per run.

Benefits

- Achieve a return on investment through labor savings and improved press quality and consistency
- Press product flat across the sheet every time
- Reduce strain on employees from hand pressing and rolling products
- State-of-the-art safety and sanitation design to meet the most stringent standards
- Reliable and durable equipment backed by manufacturer's warranty



Full Sheet Hydraulic Press

FoodTools Corporate Office

Santa Barbara, CA U.S.A.

805.962.8383

877.836.6386

FoodTools Central

South Haven, MI U.S.A.

269.637.9969

800.644.2377

FoodTools United Kingdom

Ongar, Essex U.K.

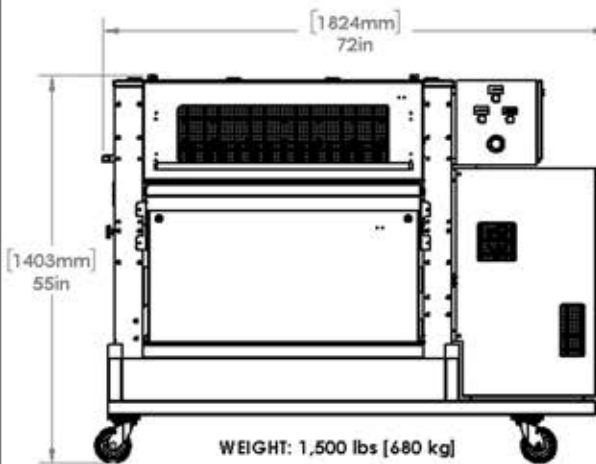
44.1277.364869

FoodTools Asia

Zhuhai, Guangdong China

86.756.2127528

sales@foodtools.com



Power:

Electric 208-240V, 8.5A 3-Phase

Product Size Ranges:

18 in (46 cm) Diameter Round Products

30 in (76 cm) x 18 in (46 cm) Sheet

Pan Style Ranges

Aluminum, Foil, Plastic Pans and Trays

FoodTools machines are manufactured with heavy duty anodized aluminum, stainless steel, and ultra-high molecular weight plastic. The equipment is designed for complete wash down requirements in production facilities.

Specifications are subject to change and are dependent on the product portioned or additional accessories to standard equipment.
© FoodTools - 12/2017

www.foodtools.com

FOODTOOLS
Industry Leaders in Portion Control